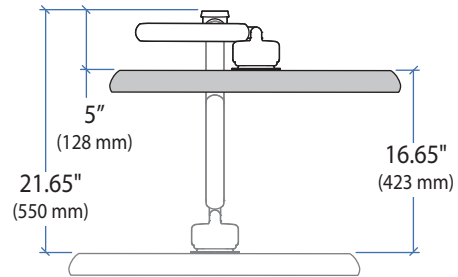
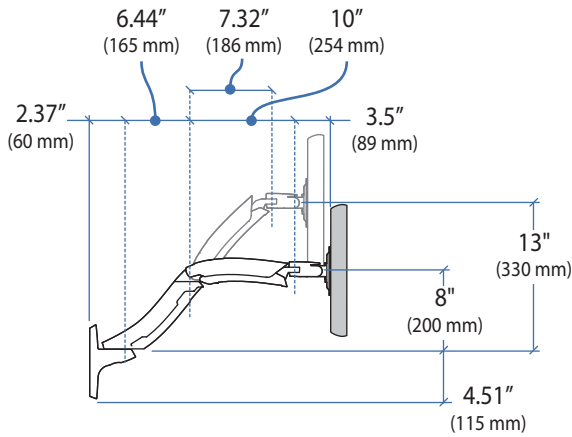
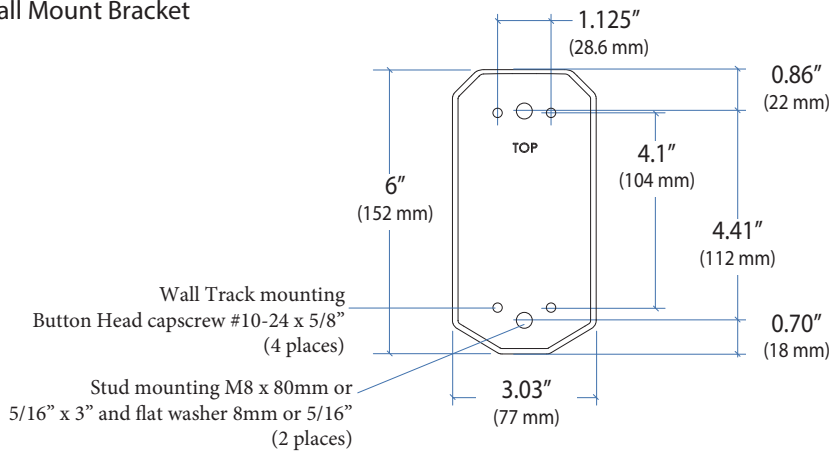


Wall Mount LCD Arm

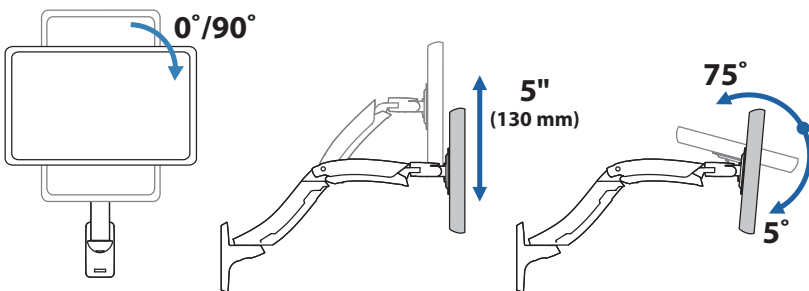


Top View

Wall Mount Bracket



Range of Motion



Maximum Weight Capacity



© 2014 Ergotron, Inc. rev. 03/17/2015 DIM-MX Wallmount Content is subject to change without notification

Americas Sales and Corporate Headquarters

St. Paul, MN USA
(800) 888-8458
+1-651-681-7600
www.ergotron.com
sales@ergotron.com

EMEA Sales

Amersfoort, The Netherlands
+31 33 45 45 600
www.ergotron.com
info.eu@ergotron.com

APAC Sale

Tokyo, Japan
www.ergotron.com
apaccustomerservice@ergotron.com

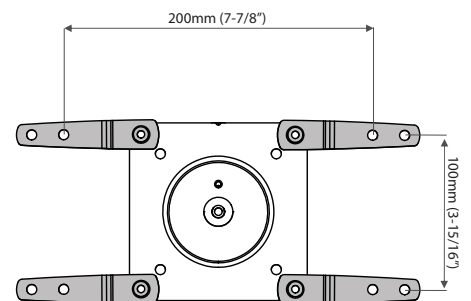
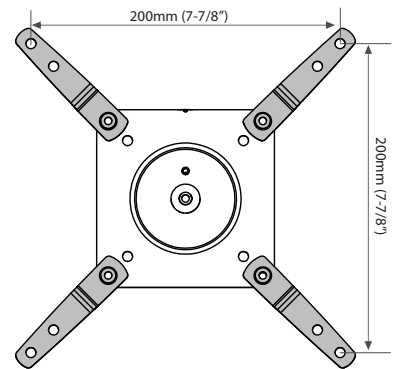
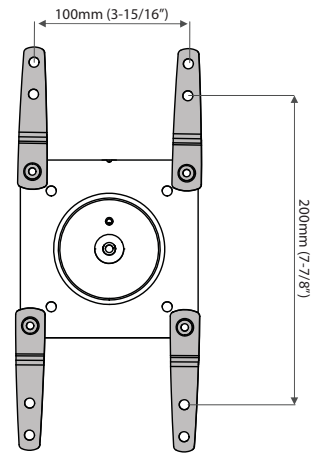
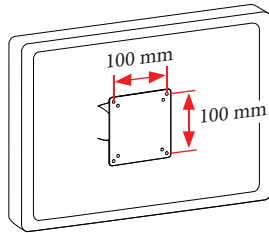
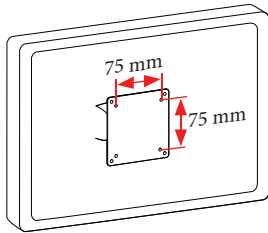
Worldwide OEM Sales

www.ergotron.com
info.oem@ergotron.com



Wall Mount LCD Arm

VESA Mounts



© 2014 Ergotron, Inc. rev. 03/17/2015 DIM-MX Wallmount Content is subject to change without notification

Americas Sales and Corporate Headquarters

St. Paul, MN USA
(800) 888-8458
+1-651-681-7600
www.ergotron.com
sales@ergotron.com

EMEA Sales

Amersfoort, The Netherlands
+31 33 45 45 600
www.ergotron.com
info.eu@ergotron.com

APAC Sale

Tokyo, Japan
www.ergotron.com
apaccustomerservice@ergotron.com

Worldwide OEM Sales

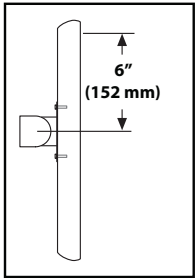
www.ergotron.com
info.oem@ergotron.com



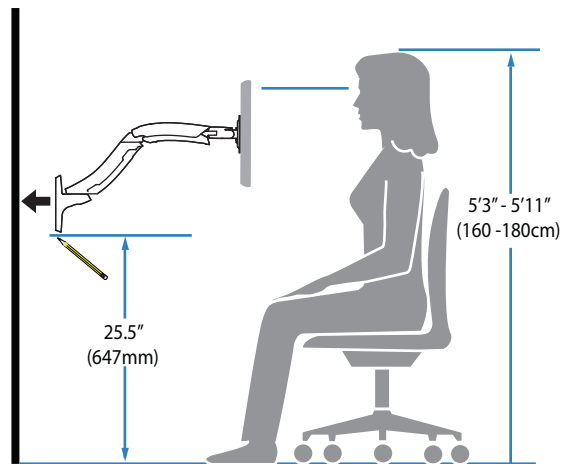
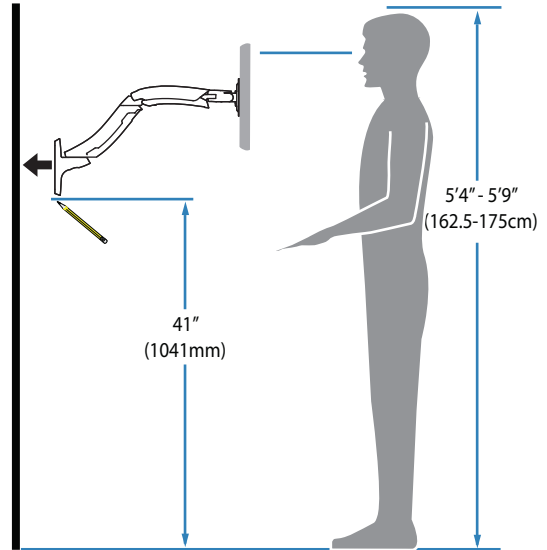
Mounting Height for Ergonomic Workstation

This mounting height is a recommendation for an ergonomic workstation that accommodates user heights of 5'4"-5'9" (162.5-175cm) when set up for standing and user heights of 5'3"-5'11" (160-180cm) when set up for sitting.

If user heights are different than this, you should change mounting height to accommodate user heights. (Change mounting height one inch for every one inch difference in user heights).

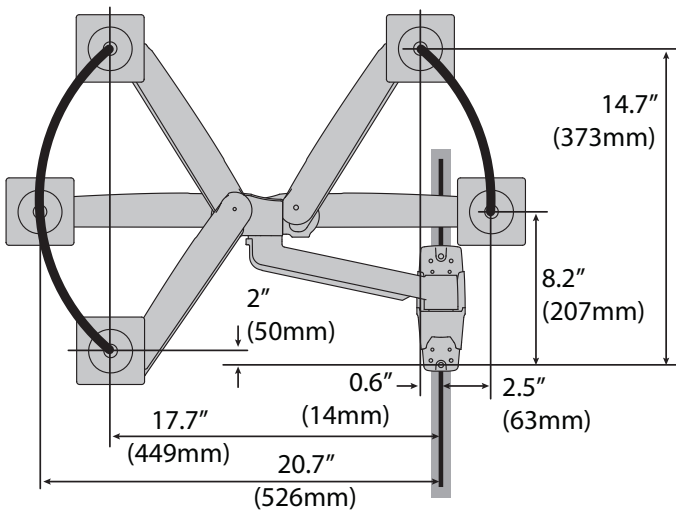


Mounting height assumes there is a 6" (152 mm) distance between the center of your monitor mounting holes and the top of the screen. If your distance is smaller, you should increase mounting height accordingly, if your distance is larger, you should decrease your mounting height accordingly.

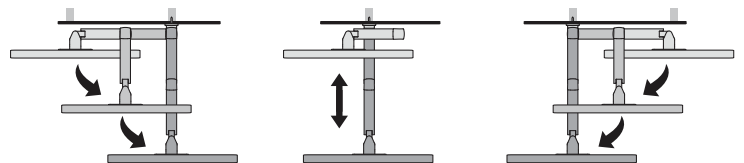


Determine mounting location:

Front view with arm pushed back against the wall.



Top view showing range of motion when pulled out from the wall.



badbacks®
Get your life back.

